

955DQ BRIK Gen III Magnetostrictive LDT In A Low Profile Package

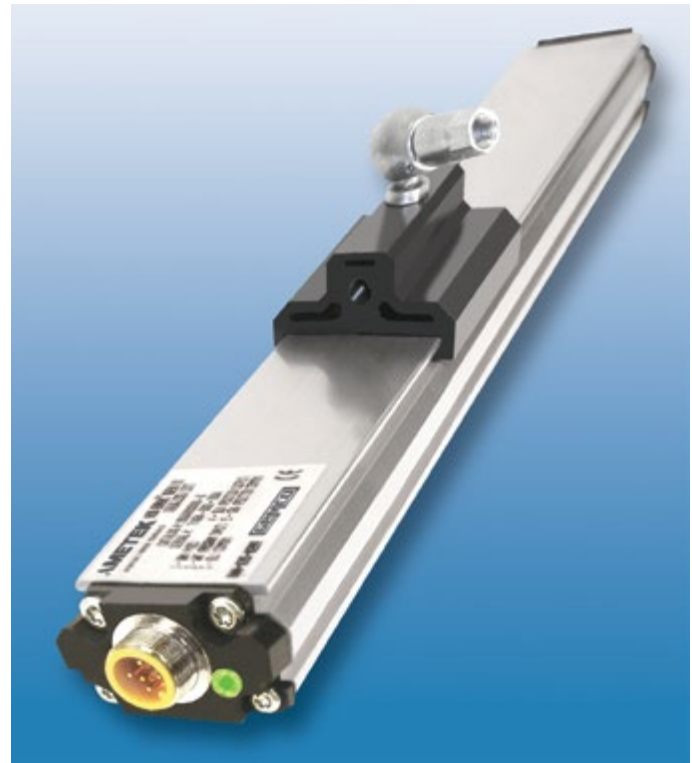
The 955DQ BRIK is an accurate, auto-tuning, non-contact linear displacement transducer in an economical, low profile package with direct quadrature output.

This new method of interfacing magnetostrictive transducers offers an interface as common as analog but with the speed and accuracy of pulsed type signaling. The Gemco 955DQ linear transducer provides quadrature output directly from the transducer to the controller. The output from the transducer can be wired directly to any incremental encoder input card, without the need for a special converter module or a PLC interface card designed specifically for use with a pulsed output magnetostrictive transducer.

The streamlined anodized aluminum extrusion houses the sensing element and electronics. The BRIK with quadrature output is a self-contained unit and does not have a can or head assembly. All of the electronics are incorporated in the transducer which is less than one inch deep. The magnet slide is designed to move effortlessly along the transducer in a guide track or a floating magnet assembly can be positioned above the unit.

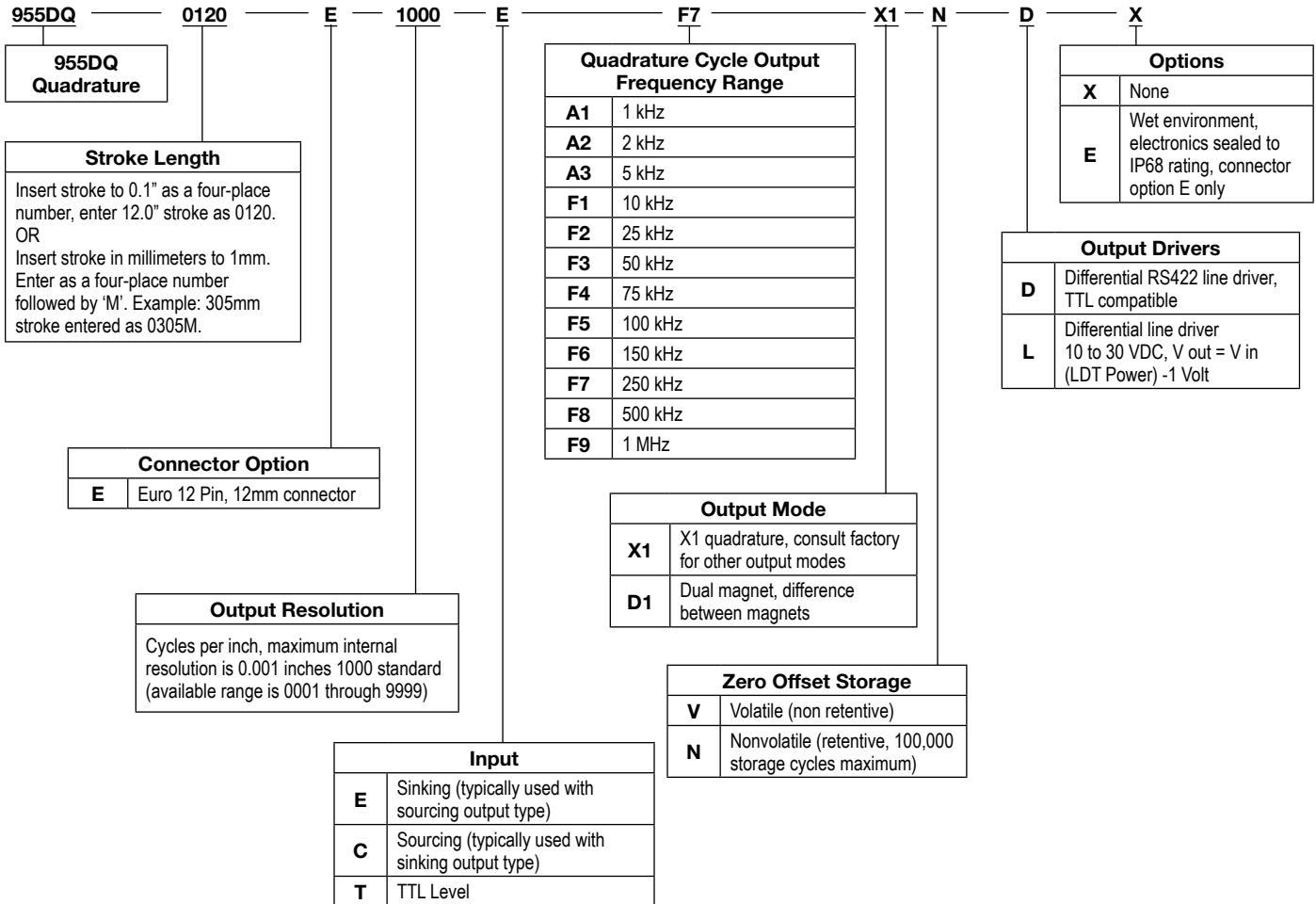
The 955DQ BRIK has a few truly unique features. First, the LDT has auto-tuning capability. This is the ability to sense a magnet other than the standard slide magnet and adjust its signal strength accordingly. Another feature is a diagnostic LED located at the connector end of the probe that remains green when a good magnet signal is present and power is normal. The LED turns red when there is no magnet present or the magnet assembly is out of the sensing area.

The 955DQ LDT can be ordered with 1-9999 cycles per inch of output resolution in lengths of 5 to 180 inches. The transducer features an input to re-zero the probe “on-the-fly”. Another unique feature is the “burst” mode. An input on the transducer triggers a data transfer of all the incremental position data relative to the customer's set zero position. This can be used to achieve absolute position updates when power is restored to the system, eliminating the time consuming need to “re-home” the machine.



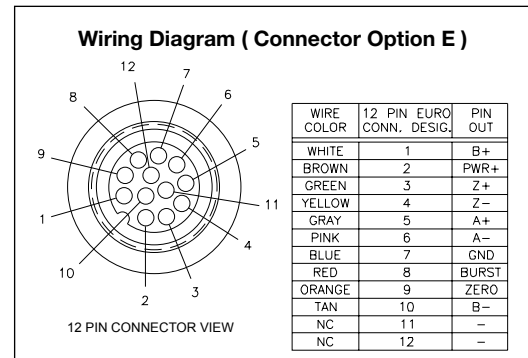
Specifications	
Input Voltage	13.5 to 30 VDC
Current Draw	2.5 Watts Maximum, 120mA @ 15 VDC Typical
Output	Quadrature Output A+, A-, B+, B-, Z+, Z- Line Drivers: 5V or Input Power
Resolution	0.001"
Linearity	+/- 0.05% of Stroke
Repeatability	+/- 0.006% of Full Stroke
Hysteresis	+/- 0.02% of Full Scale
Update	1ms (Stroke Lengths 5" to 50") 2ms (Stroke Lengths 51" to 100") 3ms (Stroke Lengths 101" to 150") 4ms (Stroke Lengths 151" to 180")
Operating Temperature	-20° to 70° C
Span Length	5" to 180"
Null Zone	3.00"
Dead Band	2.00"
LED	Green = Power is applied and magnet is present Red = Fault, magnet is in the Dead Band or lost
Connector	Standard 12 Pin Micro (Option E) 12mm Euro Connector or 10 Pin HRS (Option H)
Approvals	CE
Enclosure	IP67, IP68 Optional (Connector Option E Only)
Specifications are subject to change without notice. Specifications are based on a typical 36" LDT.	

955DQ BRIK Gen III Part Numbering



Accessories	
Item	Part Number
Slide Magnet	SD0521800
Floating Magnet	SD0522100
Wide Floating Magnet	SD0551500
Mounting Foot	SD0522000
6 Ft. 12 Pin (Option E Connector)	949023L6
12 Ft. 12 Pin (Option E Connector)	949023L12
Control Arm	955ARMXX (X = Length in Inches)
Plastic Rod End	04-570252

For non-standard lengths, consult factory.

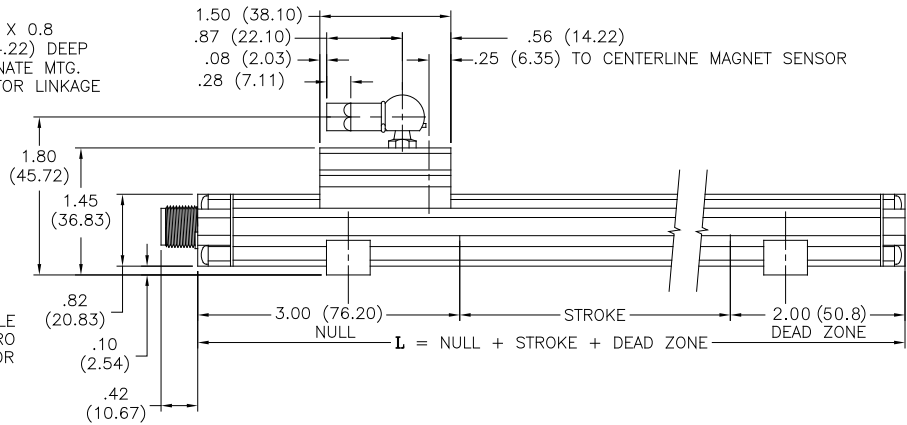
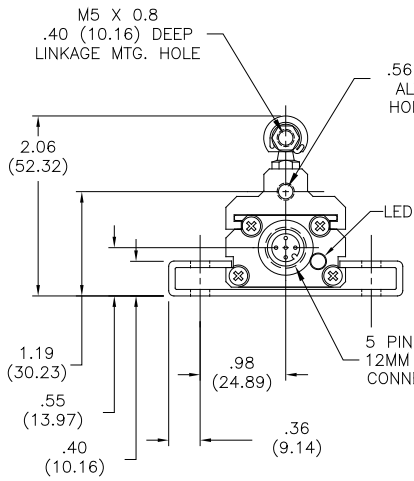
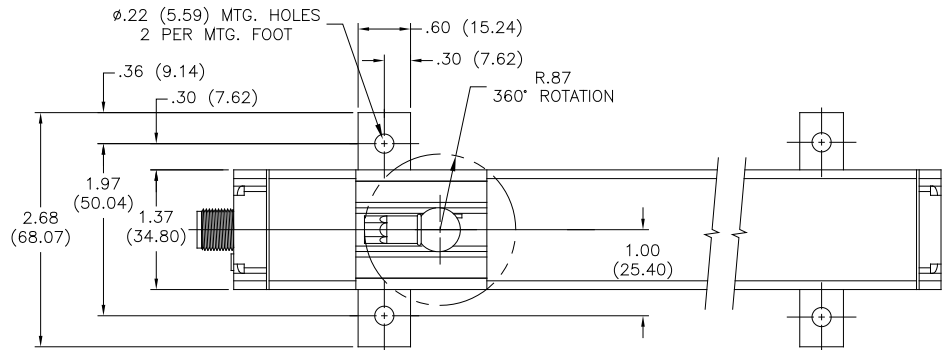
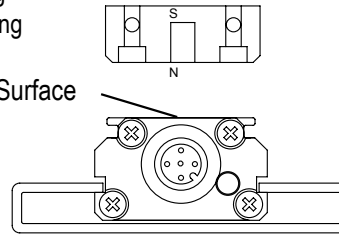


955A/D/DQ BRIK Gen III

Dimension Drawing

Note: The North side of a floating magnet will face the LDT's sensing surface.

Sensing Surface



955