

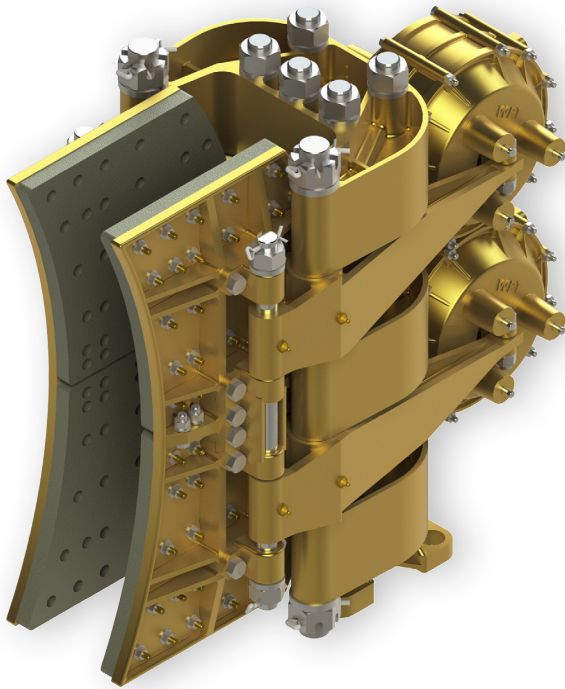


# Caliper Brakes



# Caliper

## Disc Brake



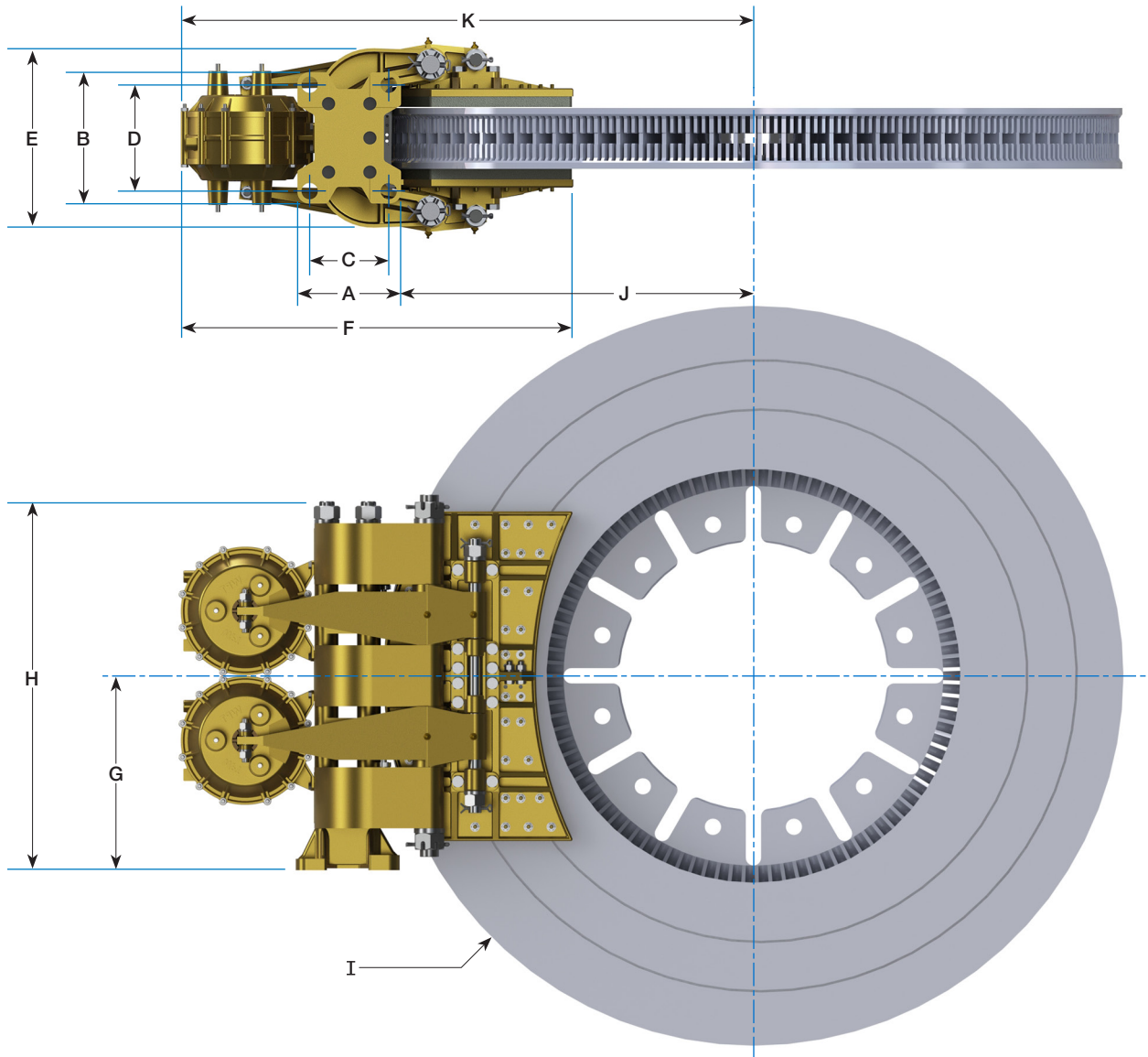
WPT Power calipers are engineered to perform in unforgiving environments where real world conditions can severely affect performance and reliability. Our wide range of caliper disc products are a great fit for drawworks on both land and off-shore operations, well servicing rigs, and forestry applications.

Our rugged, low-maintenance calipers are made of die cast silicone bronze with high quality stainless steel hardware. These calipers are lever operated and have adjustable clevises on the actuators to regulate the disc and shoe clearance. The actuators are designed to use minimal air or hydraulic pressure when applying or releasing the brake. Detailed technical design changes were made to increase the torsional strength and durability of our brakes. Comes standard with non-asbestos friction material, and has semi-metallic pads available for higher torque applications. Balancing links are used to ensure even lining wear that reduce downtime and repair costs.

Model	Rotor Sizes in (mm)	Torque lbf-ft (N-m)	Maximum Speed r/min	Effective Radius ft (m)	Maximum Pressure lbf/in <sup>2</sup> (bar)	Volume Per Actuation Max in <sup>3</sup> (cm <sup>3</sup> )	Clamping Force Total lbf (N)	Lining Area Total in <sup>2</sup> (cm <sup>2</sup> )	Lining Wear Max in (mm)
WDA-26	30 (762)	15,300 (20800)	1150	0.96 (0.29)	100 (7)	110 (1820)	31,800 (141500)	200 (1290)	0.35 (9)
	40 (1016)	21,700 (29400)	860	1.36 (0.42)					
	48 (1219)	26,900 (36400)	720	1.69 (0.51)					
WDA-28	48 1/2 (1232)	38,100 (51600)	710	1.59 (0.48)	100 (7)	180 (2950)	48,000 (213600)	415 (2677)	0.38 (10)
	54 1/2 (1384)	43,900 (59500)	630	1.83 (0.56)					
	60 1/2 (1537)	49,700 (67400)	570	2.07 (0.63)					

WPT Power is constantly striving to improve and develop the product range. For this reason, WPT Power reserves the right to make changes in any product information without prior notice. Every effort has been made

to ensure that the dimensions, performance, specifications, etc. are correct at the time of printing. For more information, please contact your authorized WPT Power distributor or visit: [WPTpower.com](http://WPTpower.com).



Model	Caliper Dimensions								Rotor Dimensions		
	A	B	C	D	E	F	G	H	I	J	K
WDA-26	6 1/4 (159)	7 1/2 (191)	4.750 (120.65)	7.500 (190.50)	10 15/16 (278)	20 1/2 (521)	9 1/2 (242)	18 1/2 (470)	30 (762)	14 1/2 (368)	27 1/16 (687)
									40 (1016)	19 1/2 (495)	32 1/16 (815)
									48 (1219)	23 1/2 (597)	36 1/16 (916)
WDA-28	6 13/16 (173)	8 5/8 (219)	5.203 (132.16)	7.000 (177.80)	12 3/8 (318)	25 3/4 (654)	12 3/4 (324)	24 1/2 (622)	48 1/2 (1232)	23 1/16 (585)	37 9/16 (954)
									54 1/2 (1384)	26 1/16 (662)	40 9/16 (1030)
									60 1/2 (1537)	29 1/16 (738)	43 9/16 (1107)



## Global resource network

Our extensive network of knowledgeable distributors ensures that your product needs will be met quickly and with minimum downtime – when and wherever you are, worldwide.



**WPT POWER**  
CORPORATION 

**WPT Power Corporation**  
1600 Fisher Road  
Wichita Falls, Texas 76305  
U.S.A.

P.O. Box 8148  
Wichita Falls, Texas 76307

+1 940-761-1971 Phone  
+1 940-761-1989 Fax  
WPTpower.com

**WPT Power (Shanghai) Ltd.**  
No. 3-4 Building  
669 MinTa Road  
Songjiang, Shanghai, PRC  
201617

+86-21-57847560 Phone  
+86-21-57847553 Fax  
WPTpower.com.cn