

# Typical Installation

## Series Progressive Divider Valve

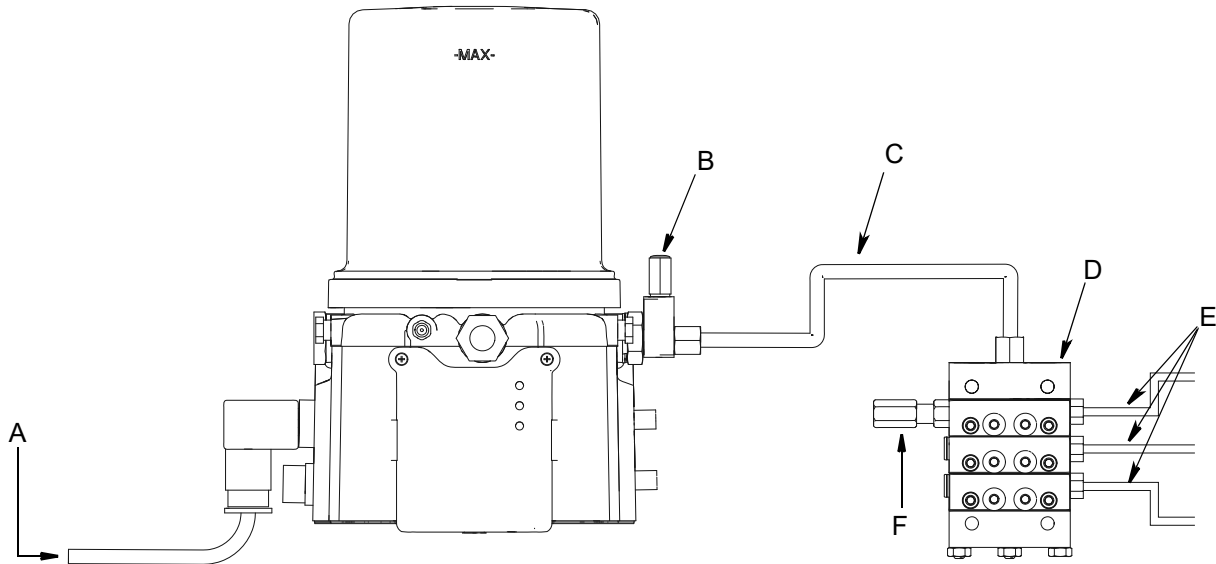


FIG. 3

## Injector Installations

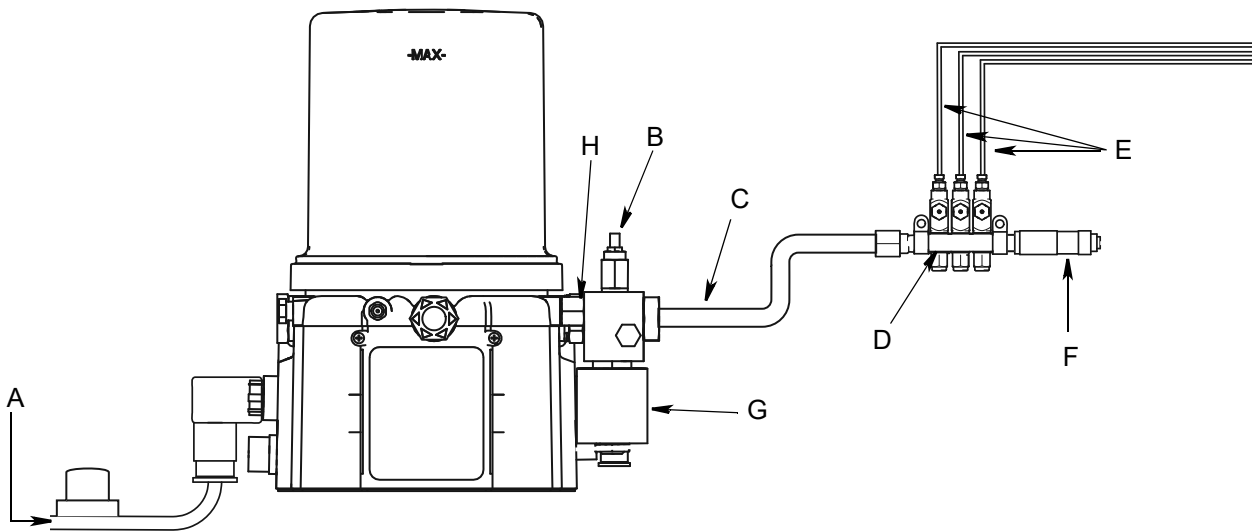


FIG. 4

### Key

- |   |  |   |  |
|---|--|---|--|
| A | Connected to fused power source  | E | To lube points   |
| B | Pressure relief valve (Not included/ required for each outlet - user supplied. See Parts, page 32) | F | - Proximity Switch (Divider Installations)<br>- Pressure switch (Injector Installations) |
| C | Supply Hose (user supplied)  | G | Vent valve (Not included / available from Graco. See Parts, page 33.)                    |
| D | Series progressive divider valves (Divider Installations)<br>- Injectors (Injector Installations)  | H | Return to reservoir  |